

WMC2 SERIES LANDSCAPE LIGHTING

WMC2-12V-UDL-MCT-BN
WMC2-12V-UDL-MCT-ORB

WESTGATE
THE FUTURE IS HERE...AND IT'S QUITE BRIGHT!



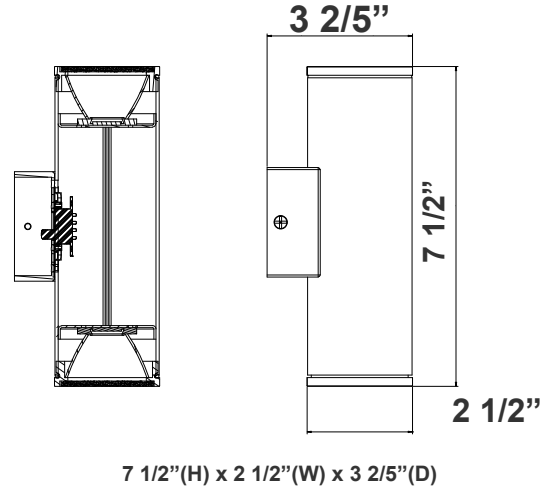
Ideal for general site lighting, walkways, and stairways, alleys, loading docks, doorway, pathway and parking areas

Customer Name: _____

Project Name: _____

Note: _____

Type: _____



Features

- Finish: Brushed Nickel & Oil-Rubbed-Bronze
- Multi CCT (Selectable Switch on the Back of the Bracket, Protected by Silicon Cover to be Waterproof)
- 7-Year Warranty
- Outdoor UP/Down Light

Technical Specifications

Electrical:

- Voltage: 12V AC
- Power Factor: >0.90
- Wattage: 10W
- Efficacy: 65 LPW
- THD: <20%

Mechanical:

- Housing: Die-cast Aluminum & Glass
- Finish: Brushed Nickel & Oil-Rubbed-Bronze
- Maximum Ambient Temperature: -68°F to 104°F
- Suitable for Wet Location

Lighting:

- Dimming: TRIAC Dimming (Using Standard TRIAC LED Dimmers)
- Total Lumens: 650LM
- Color Temperatures: 3000K/4000K/5000K
- Multi CCT (Selectable Switch on the Back of the Bracket, Protected by Silicon Cover to be Waterproof)
- Color Rendering Index: CRI ≥ 80
- Rated life: 70,000 hrs
- Beam angle: 45°

Applications:

- Ideal for general site lighting, walkways, and stairways, alleys, loading docks, doorway, pathway and parking areas

Other Models:

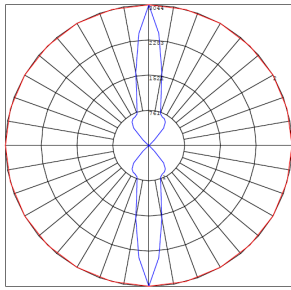
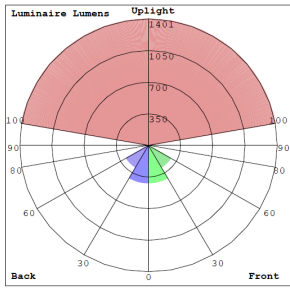
- 5W | 330LM | WMC2-12V-DL-MCT-BN
- 5W | 330LM | WMC2-12V-DL-MCT-ORB



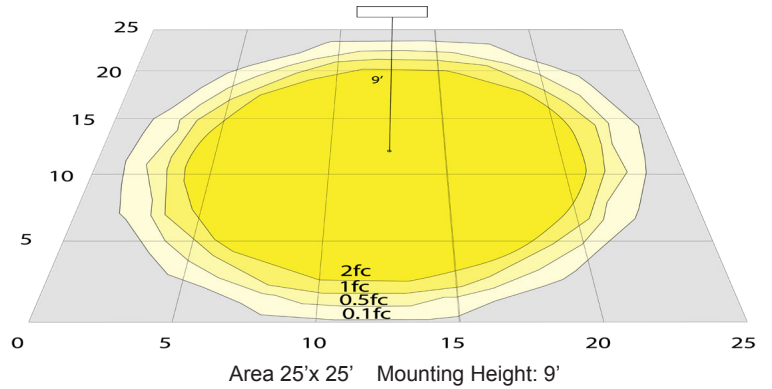
Phone: (877) 805-2252 | Fax: (877) 805-2252
www.westgatemfg.com



Photometrics: WMC2-12V-UDL-MCT



BUG Rating: B1-U5-G0



Other Views:

Oil-Rubbed-Bronze Finish:



Side View



Back View



Lens View

Brushed Nickel Finish:



Side View



Back View



Lens View

Performance Table: WMC2-UDL-MCT

MODEL NO.	Wattage	Voltage	Lumens	Color Temp.	BUG Rating	LPW
WMC2-12V-UDL-MCT-BN	10W	12V	650LM	3000K/ 4000K/ 5000K	B1-U5-G0	65
WMC2-12V-UDL-MCT-ORB	10W	12V	650LM	3000K/ 4000K/ 5000K	B1-U5-G0	65

Sample Ordering

Model Voltage Light Direction Color Temp. Finish

WMC2 - 12V - UDL - MCT -

BN = Brushed Nickel
ORB = Oil-Rubbed Bronze

Example:

1. WMC2-UDL-MCT-BN-DT

(FOR WMC2 10W UP DOWN LIGHT MCT BRUSHED NICKEL FIXTURE 12V)

